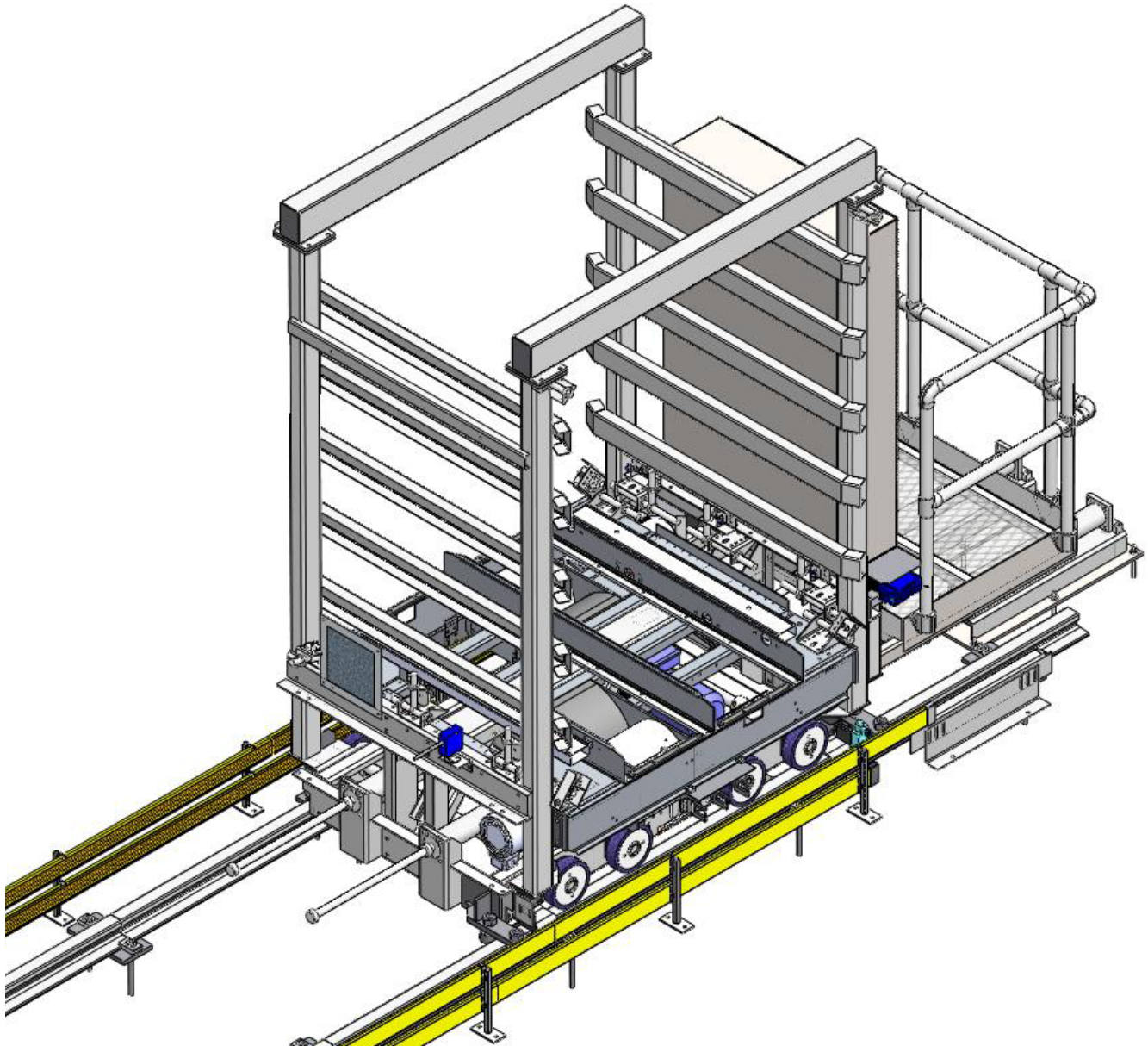


Model TC1500 Single Transfer Car



STANDARD SPECIFICATIONS

- FRAME: Tubular Steel and Formed Steel Channel
- SUPPORTS: Rides on Two Parallel Crane Rails
- POWER CONNECTION: Power Bus with Collectors
- ELEVATION: 30" Minimum
- MOTOR: 230/460V-3PH-60HZ T.E.F.C.
- SPEED: 600 FPM Standard
- FINISH: Powder Coating, Color: Westfalia Gray RAL #7040
- CONVEYOR TOP: OPTIONAL; Chain and Roller Available