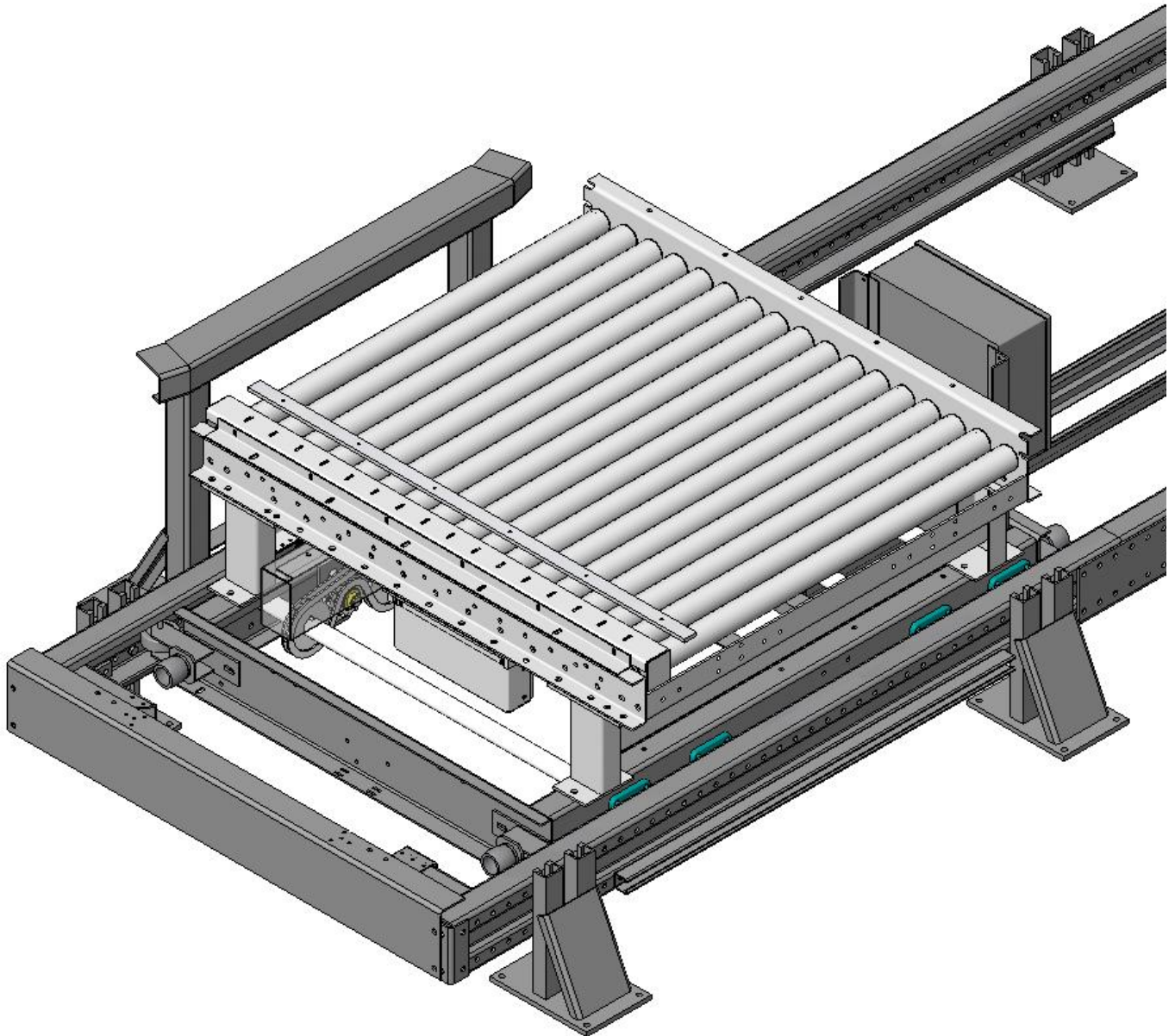


Model TC1000 Transfer Car



STANDARD SPECIFICATIONS

- FRAME: Formed Steel Channel
- SUPPORTS: Formed Beam – Sigma Profile
- POWER CONNECTION: Cable Track
- ELEVATION: 30" Minimum
- MOTOR: 230/460V-3PH-60HZ T.E.F.C.
- SPEED: 180 FPM Standard
- FINISH: Powder Coating, Color: Westfalia Gray RAL #7040
- CONVEYOR TOP: OPTIONAL; Chain and Roller Available