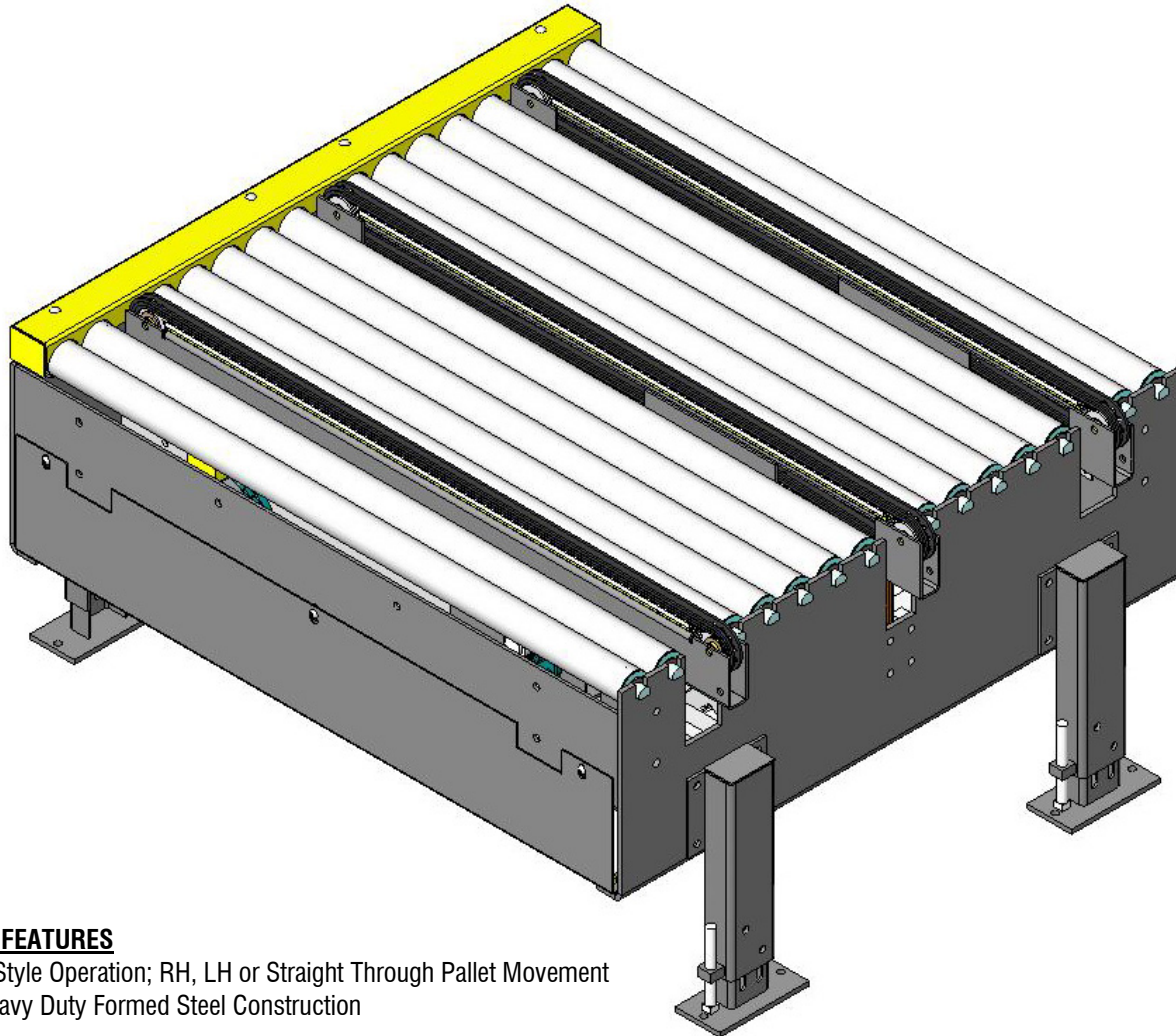


Model 991E

Mechanical Right Angle Transfer 3-Way Unit Close Roller Centers



STANDARD FEATURES

- T-Style Operation; RH, LH or Straight Through Pallet Movement
- Heavy Duty Formed Steel Construction

STANDARD SPECIFICATIONS

- | | |
|------------------|--|
| • FRAME: | Heavy Duty Formed Steel |
| • SUPPORTS | Heavy Duty Formed Steel Channel Floor Supports |
| • ROLLERS: | 2 ½" Diameter on 3 " Centers, Chain Driven |
| • CHAIN: | (3) #60 Transport Chains on UHMW Extrusion Wearstrip |
| • LIFT: | Cam Lift with Heavy Duty Cam Followers. Raise or Lower Cycle Time: 1.5 Seconds |
| • MOTORS: | 230/460V-3PH-60HZ T.E.F.C. |
| • SPEED: | 40 & 60 FPM Standard |
| • PALLET SIZE: | 40" x 48" Standard |
| • LOAD CAPACITY: | 3,500 Lbs. Maximum, 200 Lbs. Minimum |
| • FINISH: | Powder Coating, Color: Westfalia Gray RAL #7040 |