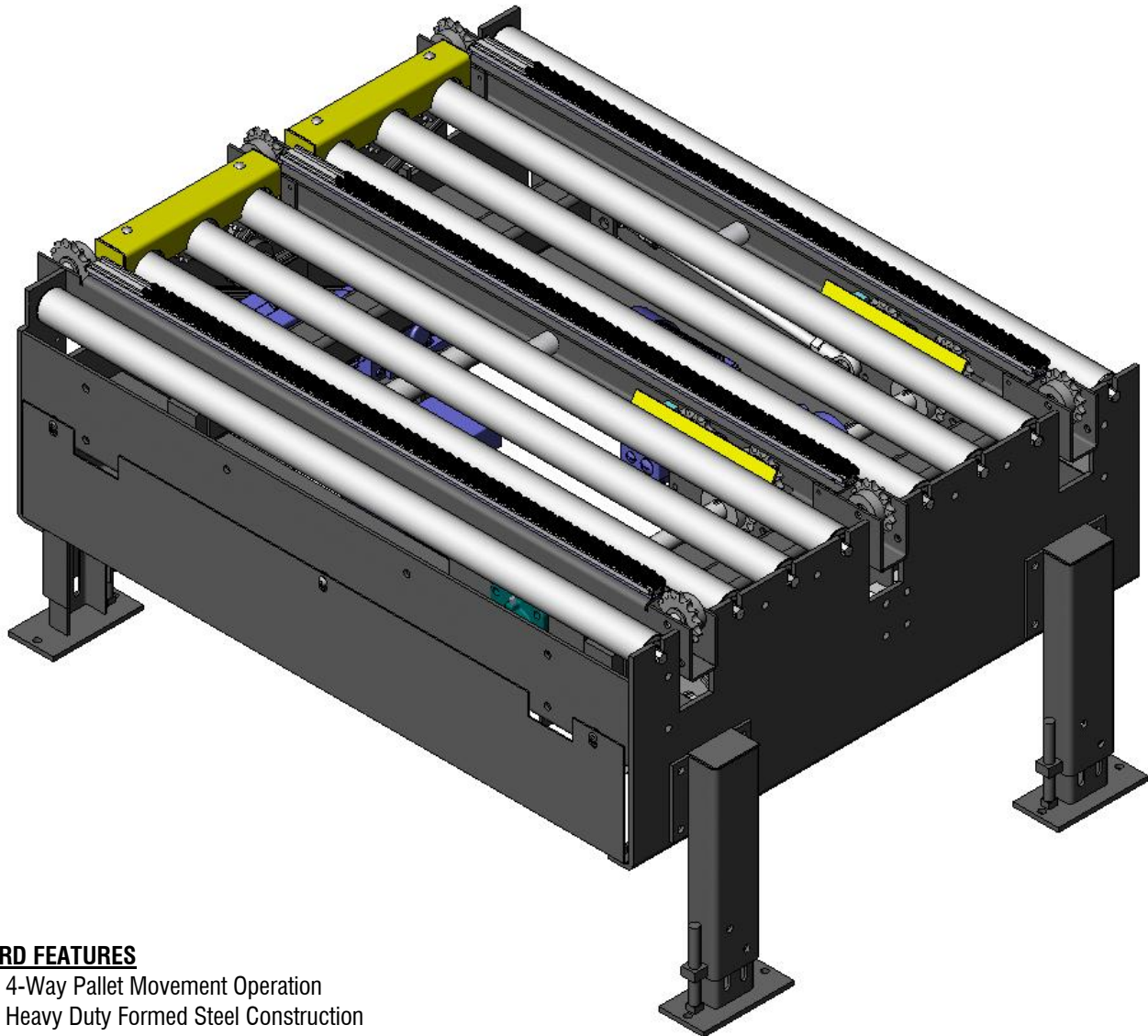


Model 991B Mechanical Right Angle Transfer – 4-Way Unit



STANDARD FEATURES

- 4-Way Pallet Movement Operation
- Heavy Duty Formed Steel Construction

STANDARD SPECIFICATIONS

- FRAME: Heavy Duty Formed Steel
- SUPPORTS: Heavy Duty Formed Steel Channel Floor Supports
- ROLLERS: 2 ½" Diameter on 4 13/16" Centers, Chain Driven
- CHAIN: (3) #60 Transport Chains on UHMW Extrusion Wearstrip
- LIFT: Cam Lift with Heavy Duty Cam Followers. Raise or Lower Cycle Time: 1.5 Seconds
- MOTORS: 230/460V-3PH-60HZ T.E.F.C.
- SPEED: 40 & 60 FPM Standard
- PALLET SIZE: 40" x 48" Standard
- LOAD CAPACITY: 3,500 Lbs. Maximum, 200 Lbs. Minimum
- FINISH: Powder Coating, Color: Westfalia Gray RAL #7040