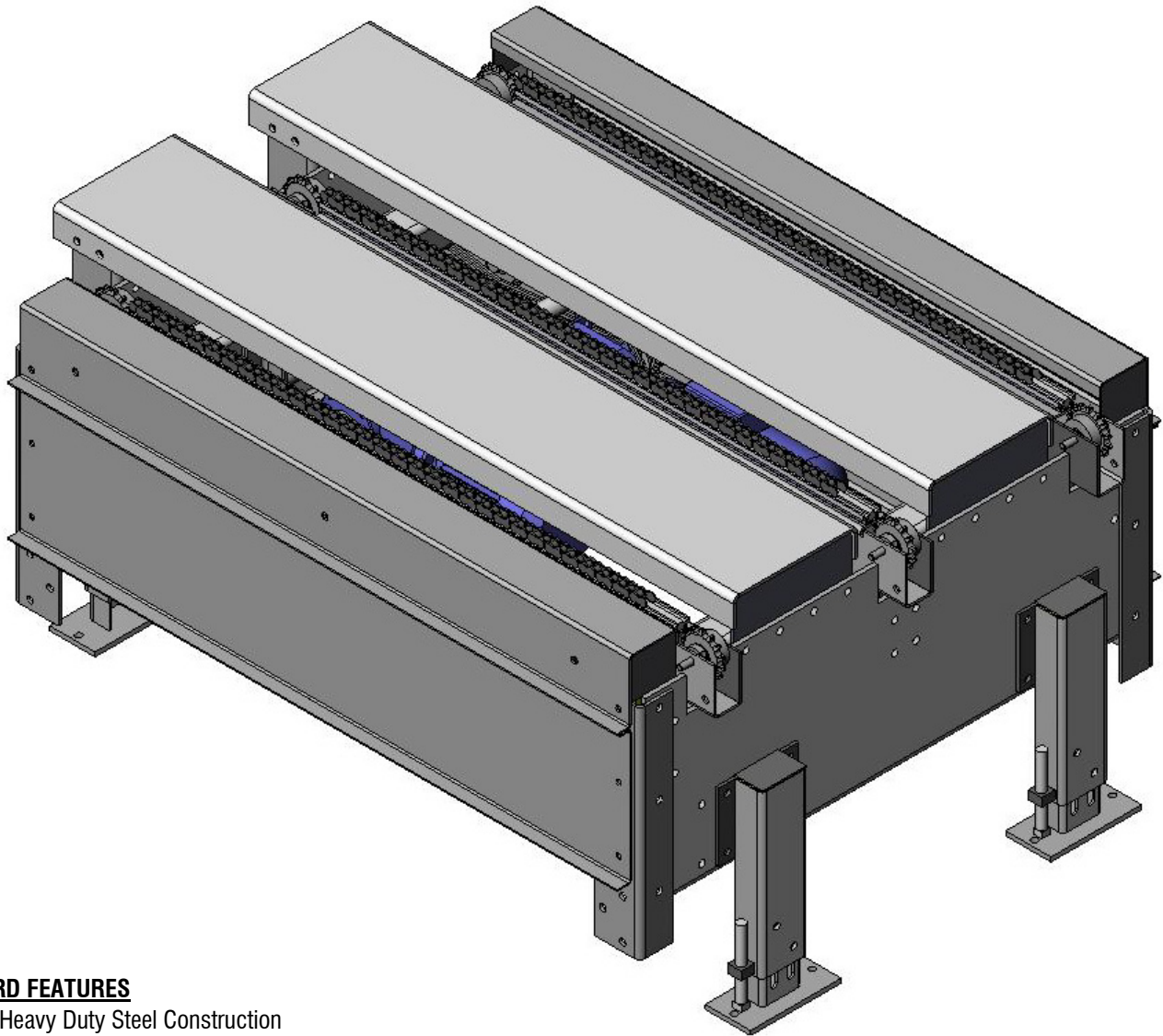


Model 974 Pallet Jack Interface Conveyor



STANDARD FEATURES

- Heavy Duty Steel Construction
- Unit to be Installed in an Approximate 30" Pit in the Floor

STANDARD SPECIFICATIONS

- | | |
|------------------|--|
| • FRAME: | 7 Gauge Formed Steel Channel and 3/8" Plate Steel Sides
Pallet Jack Interface Plates are Stainless Steel Construction |
| • SUPPORTS | Heavy Duty Formed Steel Channel Floor Supports |
| • CHAIN: | #60 Roller Chain on UHMW Extrusion Wearstrip. Lifting is Electronically Actuated |
| • MOTORS: | 230/460V-3PH-60HZ T.E.F.C. |
| • SPEED: | 40, 60 or 80 FPM Standard |
| • PALLET SIZE: | 40" x 48" Standard |
| • LOAD CAPACITY: | 3,500 Lbs. Maximum |
| • FINISH: | Powder Coating, Color: Westfalia Gray RAL #7040 |