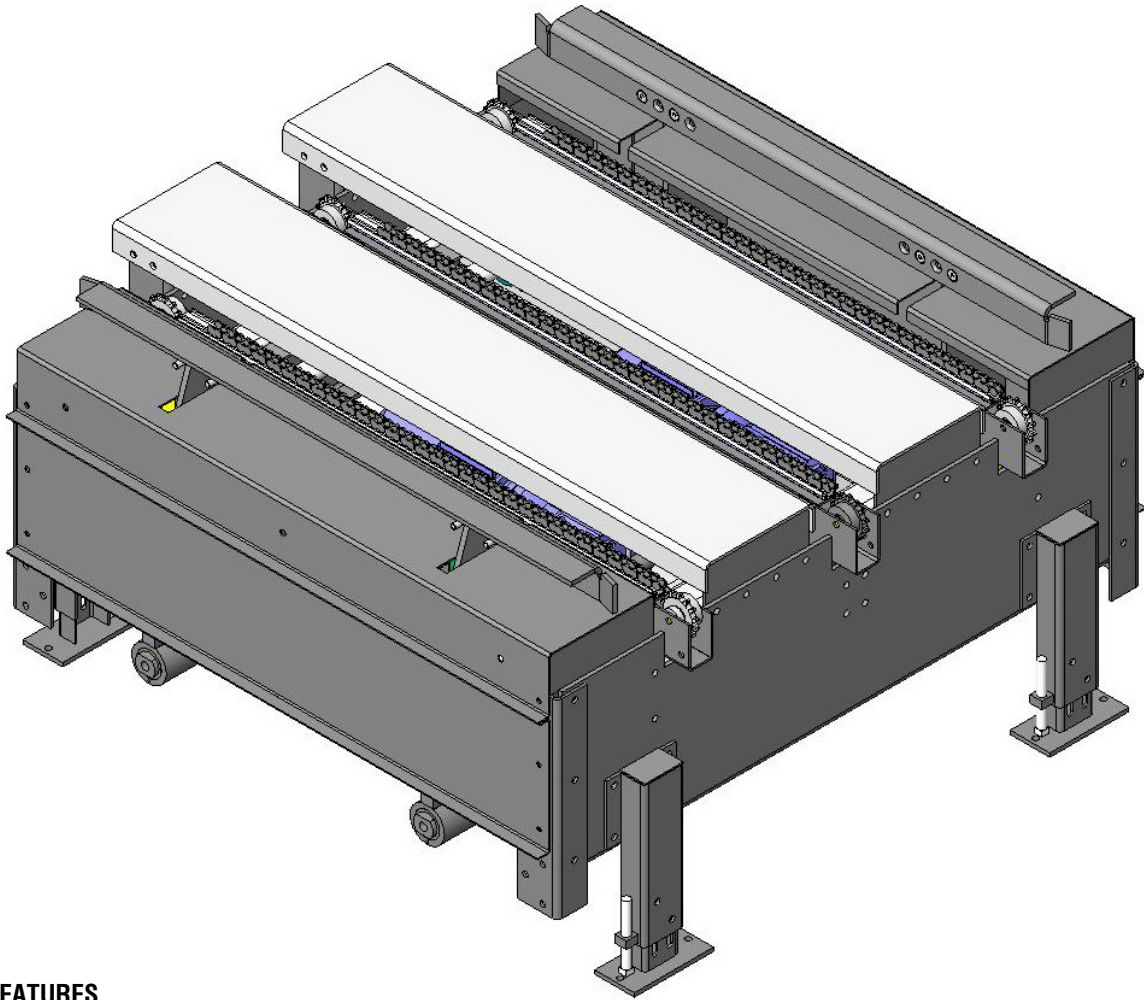


# Model 973 Pallet Jack Interface Conveyor with Pallet Squaring



## **STANDARD FEATURES**

- Heavy Duty Steel Construction
- Squaring Arms will Square and Center Pallet prior to Conveying
- Unit to be Installed in an Approximate 30" Pit in the Floor

## **STANDARD SPECIFICATIONS**

- |                  |  |
|------------------|--|
| • FRAME:         | 7 Gauge Formed Steel Channel and 3/8" Plate Steel Sides<br>Pallet Jack Interface Plates are Stainless Steel Construction |
| • SUPPORTS       | Heavy Duty Formed Steel Channel Floor Supports   |
| • CHAIN:         | #60 Roller Chain on UHMW Extrusion Wearstrip. Lifting is Electronically Actuated   |
| • SQUARING ARMS: | Air Cylinder Actuated  |
| • MOTORS:        | 230/460V-3PH-60HZ T.E.F.C.   |
| • SPEED:         | 40, 60 or 80 FPM Standard  |
| • PALLET SIZE:   | 40" x 48" Standard   |
| • LOAD CAPACITY: | 3,500 Lbs. Maximum   |
| • FINISH:        | Powder Coating, Color: Westfalia Gray RAL #7040  |