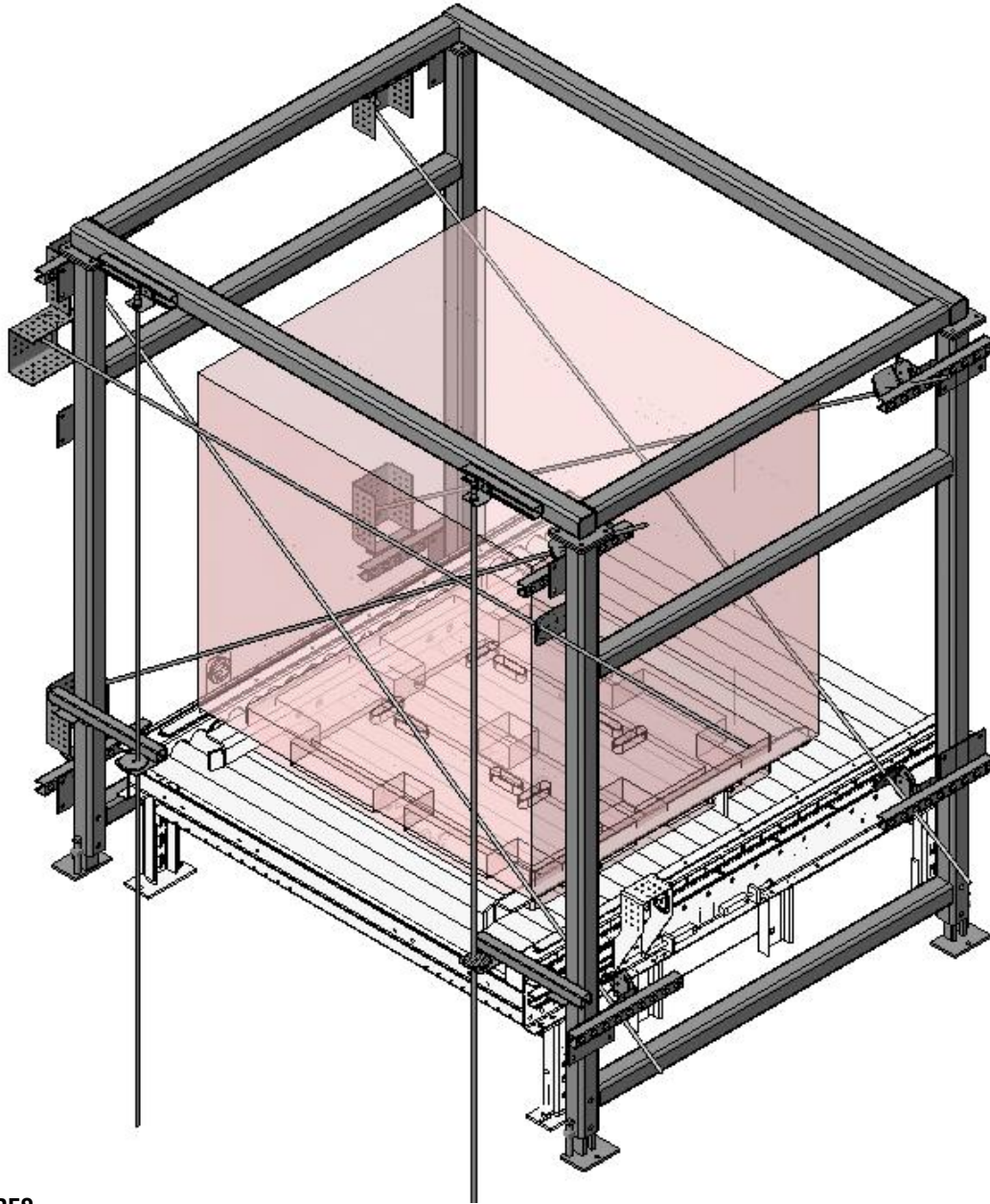


Model 972 Profile Check Station – Full Pallet Loads



STANDARD FEATURES

- Utilized for Verification of a Full Pallet Load Size prior to Entry to AS/RS System
- Profile is Verified with Multiple Photo-Eyes
- Shown with Pallet Squaring Station Conveyor (Not Included)

STANDARD SPECIFICATIONS

- FRAME: 3" Square Tubular Steel
- FINISH: Powder Coating, Color: Westfalia Gray RAL #7040