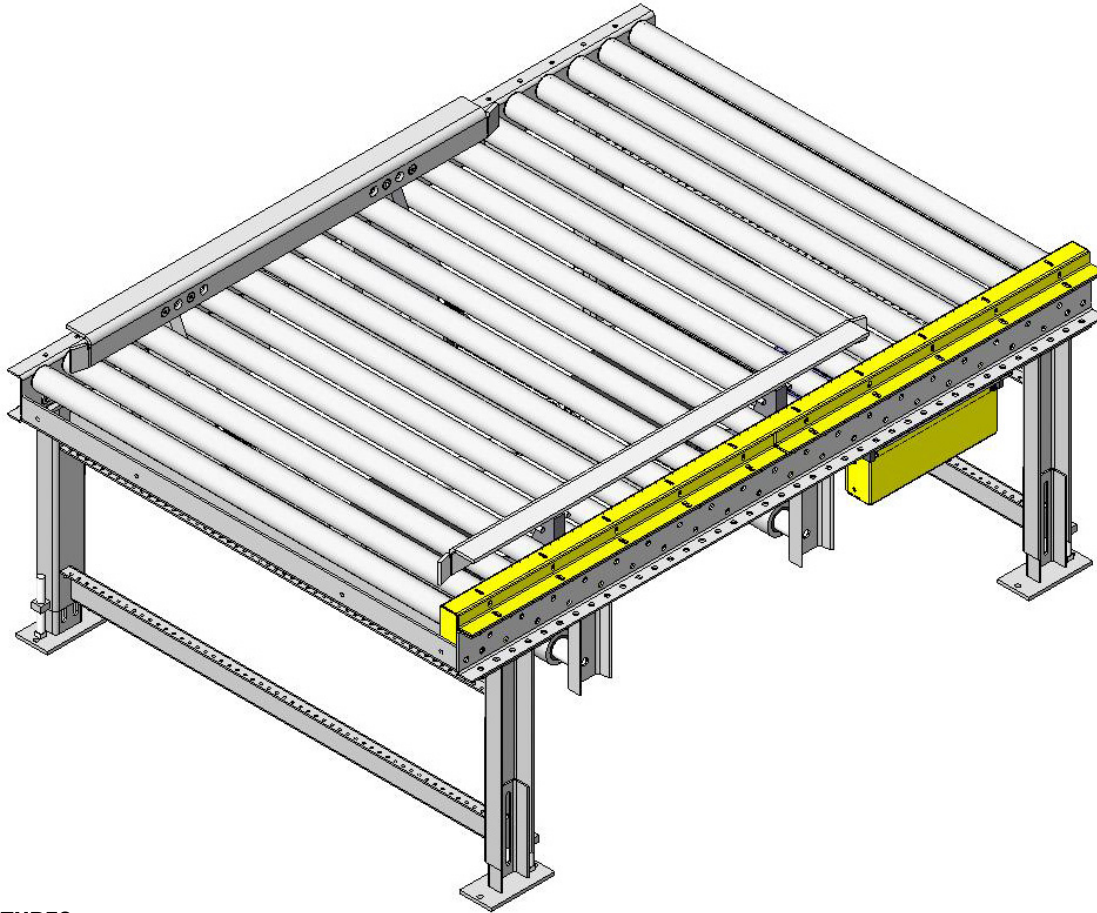


Model 971F Pallet Squaring Station Chain Driven Live Roller Conveyor



STANDARD FEATURES

- Utilized for Squaring and Centering Full Pallet Loads
- Heavy Duty Formed Steel Construction

STANDARD SPECIFICATIONS

- FRAME: 7 Gauge Formed Steel Channel
- SUPPORTS: 7 Gauge Formed Steel Channel Floor Supports with Welded Cross Members, Adjustable
- ROLLERS: 2 ½" Diameter x 11 Gauge on 4" Center Lines, Tangentially Driven, Labyrinth Shield, Grease Packed
- GUARD: Full Length Chain Guard
- SQUARING ARMS: Air Cylinder Actuated
- NOMINAL WIDTHS x LENGTH: 44" Squaring Width x 80" Standard Length
- MOTOR: 230/460V-3PH-60HZ T.E.F.C.
- SPEED: 40, 60 or 80 FPM Standard
- LOAD CAPACITY: 2,200 Lbs.
- FINISH: Powder Coating, Color: Westfalia Gray RAL #7040