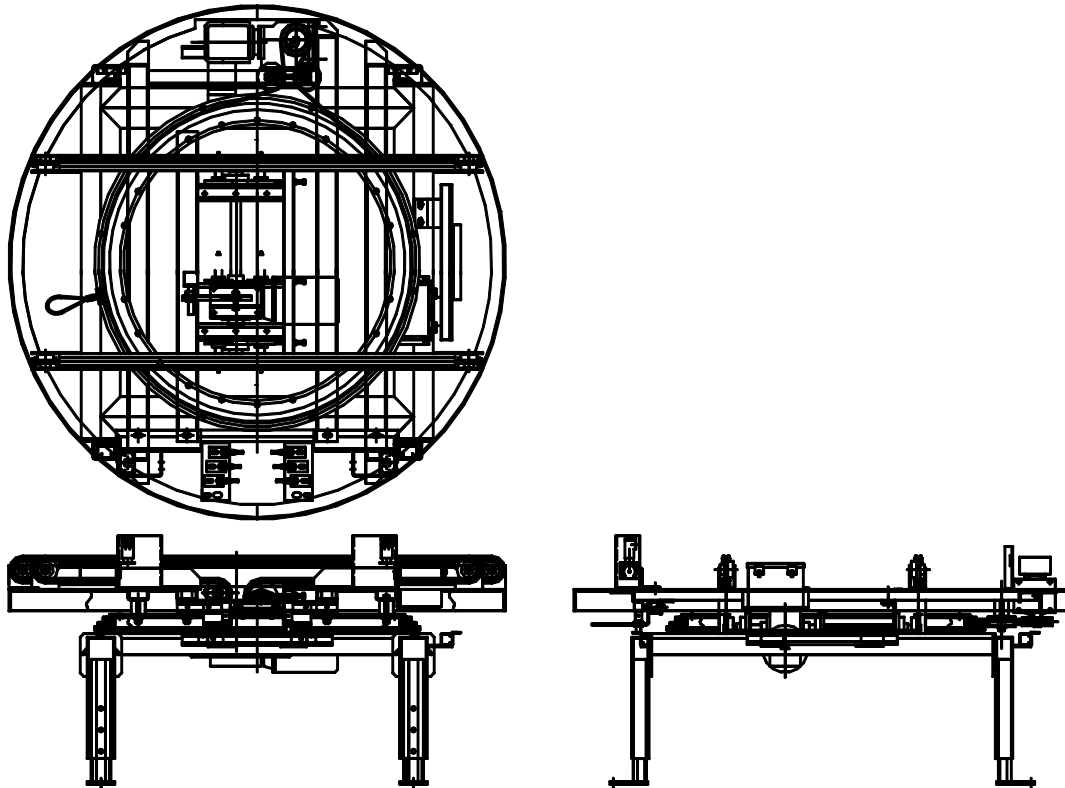


# Model 951D Rotating Conveyor Turntable Two Strand Chain Conveyor Top



**NOTE: Shown with Optional Photo-Eyes**

## **STANDARD FEATURES**

- Heavy Duty Steel Construction
- Provides Rotation for Pallet Transfer in any Direction

## **STANDARD SPECIFICATIONS**

- **FRAME:** Tubular Rotating Frame, Heavy Steel Angle Base Frame, 72" Diameter Circular Steel Guard Constructed from 1/8" Steel Sheet
- **SUPPORTS** Heavy Duty Formed Steel Channel Floor Supports; 24" Minimum, 48" Maximum
- **TURNTABLE BEARING:** 48" Diameter Ring Bearing
- **ROTATION SPEED:** 2.3 RPM; 90° Rotation in 6.5 Seconds
- **CONVEYOR TOP:** Model 937 Two Strand Chain Conveyor
- **MOTORS:** 230/460V-3PH-60HZ T.E.F.C.
- **SPEED:** 40 FPM Standard
- **PALLET SIZE:** 40" x 48" Standard Narrow Side Leading
- **LOAD CAPACITY:** 3,500 Lbs. Maximum, 200 Lbs. Minimum
- **FINISH:** Powder Coating, Color: Westfalia Gray RAL #7040