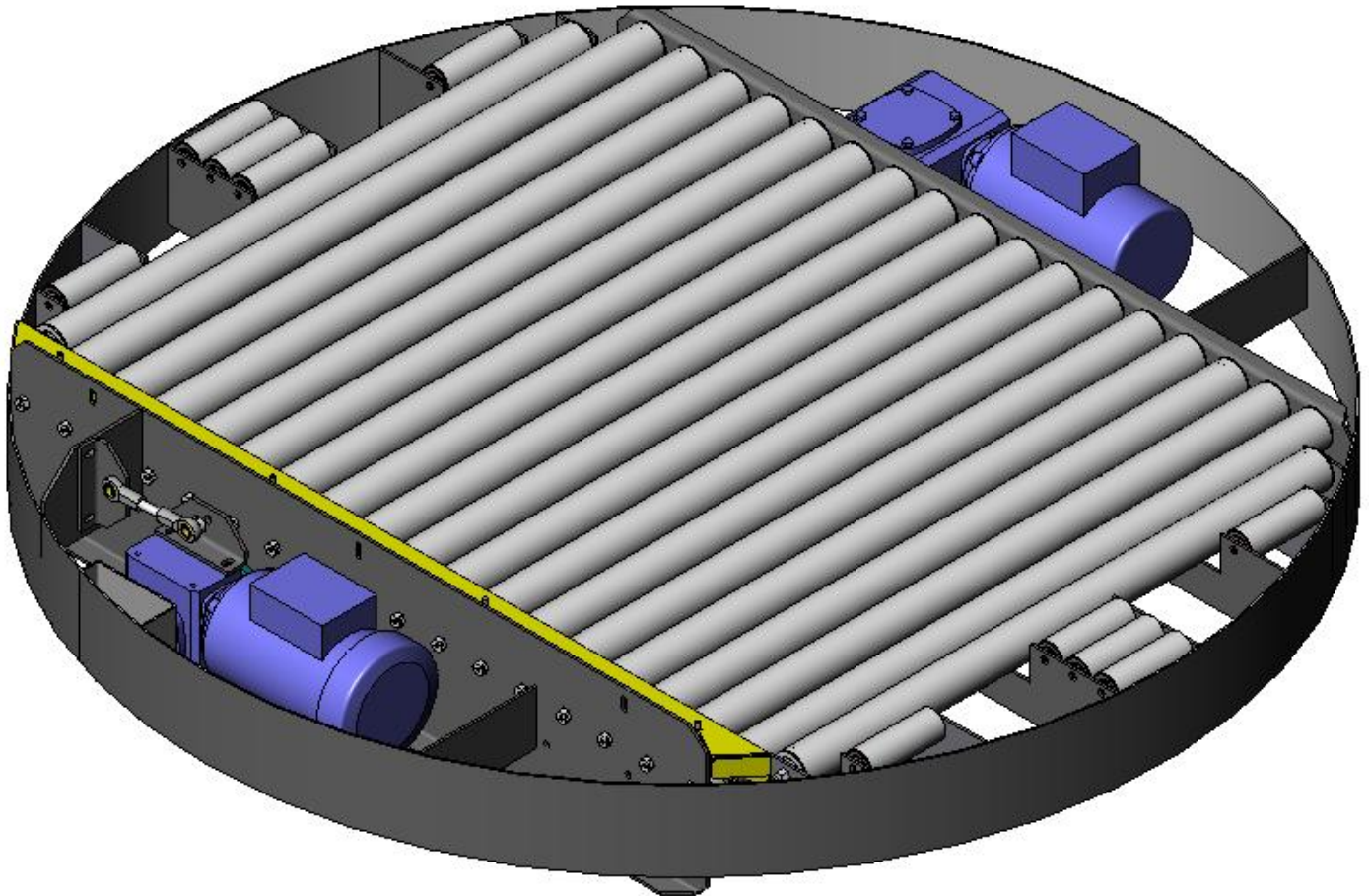


Model 951A Rotating Conveyor Turntable – CDLR Conveyor Top



STANDARD FEATURES

- Heavy Duty Steel Construction
- Provides Rotation for Pallet Transfer in any Direction

STANDARD SPECIFICATIONS

- FRAME: Tubular Rotating Frame, Heavy Steel Angle Base Frame, 72" Diameter Circular Steel Guard Constructed from 1/8" Steel Sheet
- SUPPORTS Heavy Duty Formed Steel Channel Floor Supports; 15" Minimum, 48" Maximum
- TURNTABLE BEARING: 48" Diameter Ring Bearing
- ROTATION SPEED: 2.3 RPM; 90° Rotation in 6.5 Seconds
- CONVEYOR TOP: Model 928 CDLR Conveyor
- MOTORS: 230/460V-3PH-60HZ T.E.F.C.
- SPEED: 40 FPM Standard
- PALLET SIZE: 40" x 48" Standard Narrow Side Leading
- LOAD CAPACITY: 3,500 Lbs. Maximum, 200 Lbs. Minimum
- FINISH: Powder Coating, Color: Westfalia Gray RAL #7040