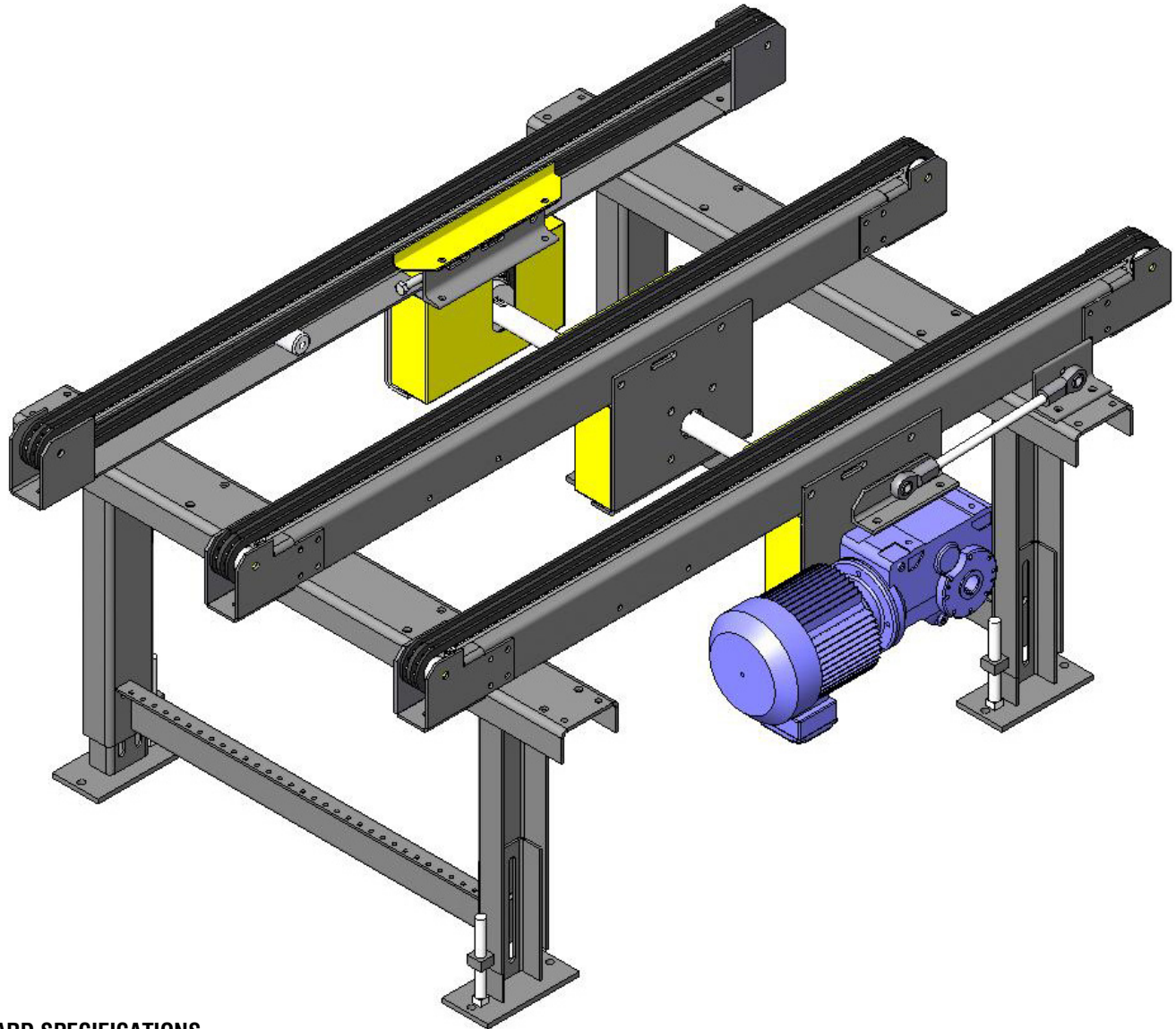


## Model 939 Three Strand Chain Pallet Conveyor with Double #50 Chain



### STANDARD SPECIFICATIONS

- FRAME: 7 Gauge Formed Channel Steel
- SUPPORTS: Heavy Duty Formed Steel Channel Floor Supports; 15" Minimum, 48" Maximum
- CHAIN: Double #50 Roller Chain on UHMW Extrusion Wearstrip
- MOTOR: 230/460V-3PH-60HZ T.E.F.C.
- SPEED: 40, 60 & 80 FPM Standard
- PALLET SIZE: 40" x 48" Standard
- LOAD CAPACITY: 3,500 Lbs. Maximum, 200 Lbs. Minimum
- FINISH: Powder Coating, Color: Westfalia Gray RAL #7040