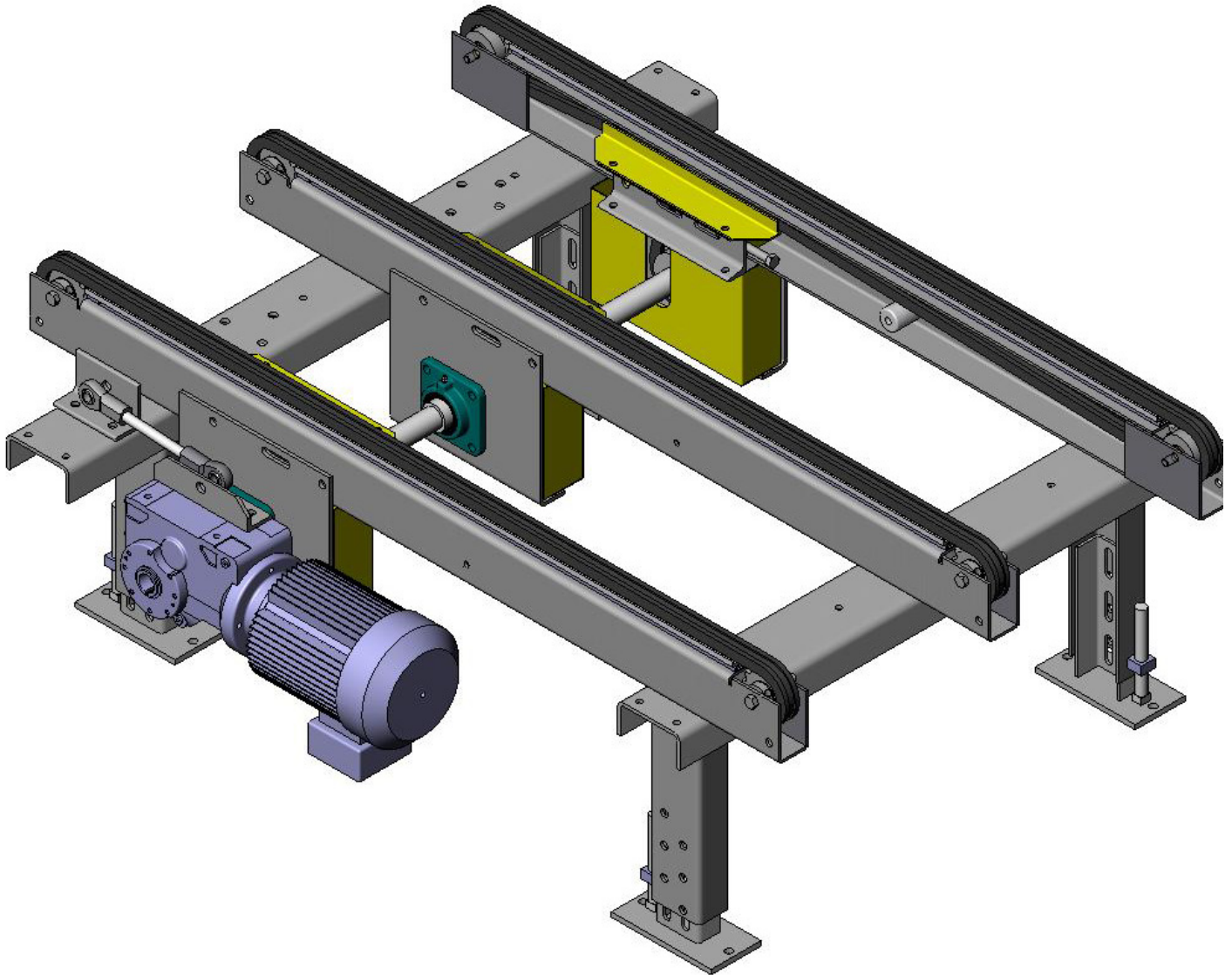


## Model 938 Three Strand Chain Pallet Conveyor



### **STANDARD SPECIFICATIONS**

- FRAME: 7 Gauge Formed Channel Steel
- SUPPORTS: Heavy Duty Formed Steel Channel Floor Supports; 15" Minimum, 48" Maximum
- CHAIN: #60 Roller Chain on UHMW Extrusion Wearstrip
- MOTOR: 230/460V-3PH-60HZ T.E.F.C.
- SPEED: 40, 60 or 80 FPM Standard
- PALLET SIZE: 40" x 48" Standard
- LOAD CAPACITY: 3,500 Lbs.
- FINISH: Powder Coating, Color: Westfalia Gray RAL #7040