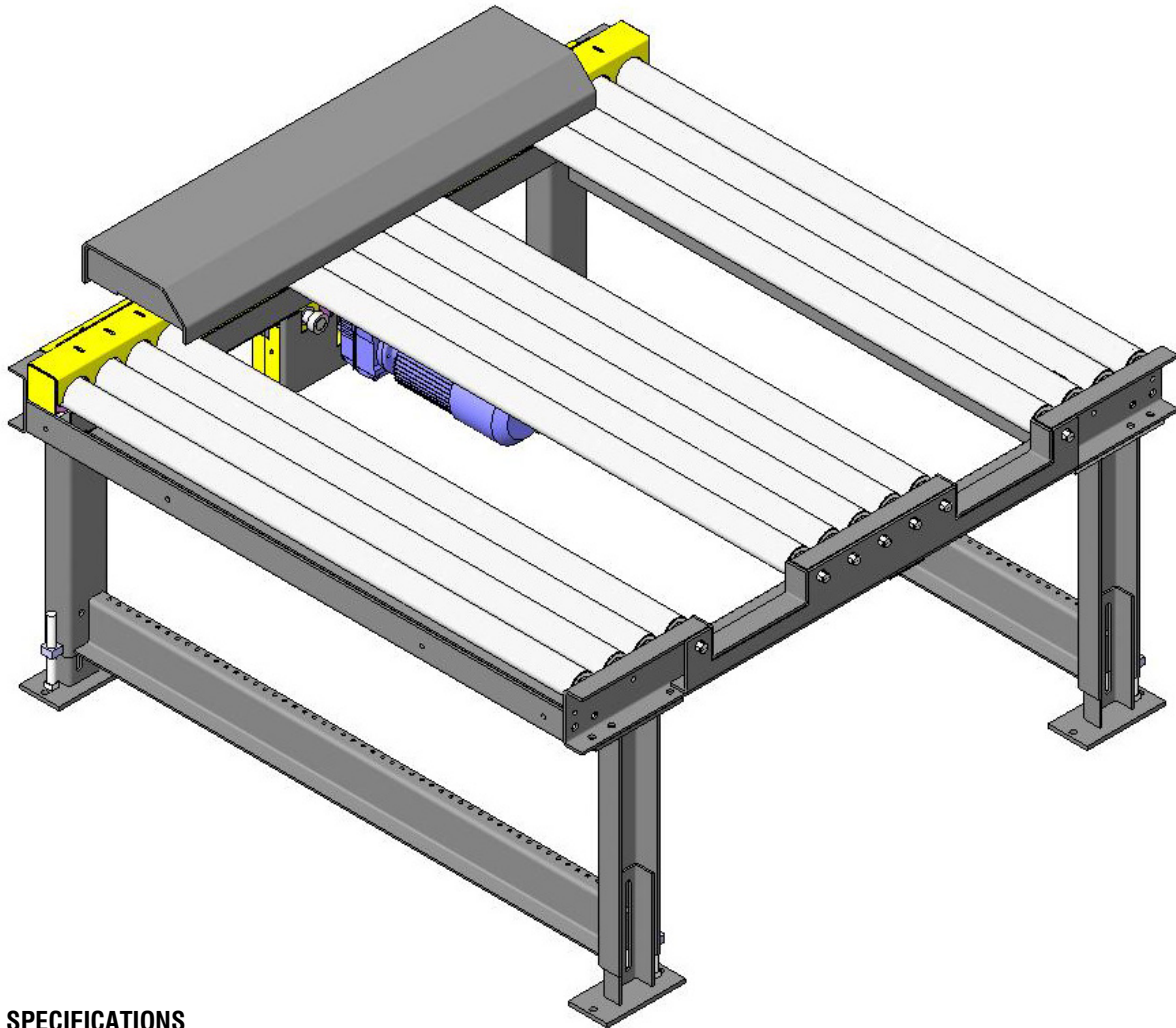


Model 925

Chain Driven Live Roller Slave Pallet Stack Forktruck Interface Conveyor



STANDARD SPECIFICATIONS

- FRAME: 7 Gauge Formed Steel Channel
- SUPPORTS: 7 Gauge x 4" Formed Steel Channel Floor Supports with Welded Cross Members, Adjustable
- ROLLERS: 2 ½" Diameter x 11 Gauge on 3.125" Center Lines, Tangentially Driven, Labyrinth Shield, Grease Packed Heavy Duty Bearings
- GUARD: Full Length Chain Guard
- NOMINAL WIDTHS: 52" Standard
- MOTOR: 230/460V-3PH-60HZ T.E.F.C.
- SPEED: 40 FPM Standard
- LOAD CAPACITY: 3,500 Lbs.
- ELEVATION TOP OF ROLLER: 15" Minimum to 48" Maximum (Higher Elevation – Consult Westfalia Engineering)
- FINISH: Powder Coating, Color: Westfalia Gray RAL #7040