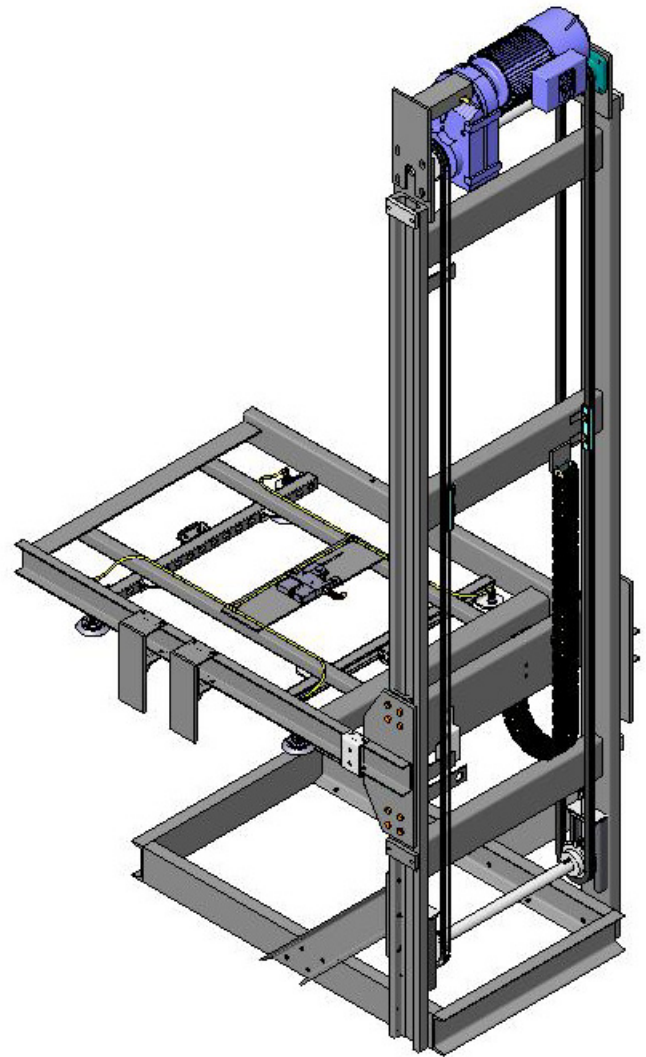
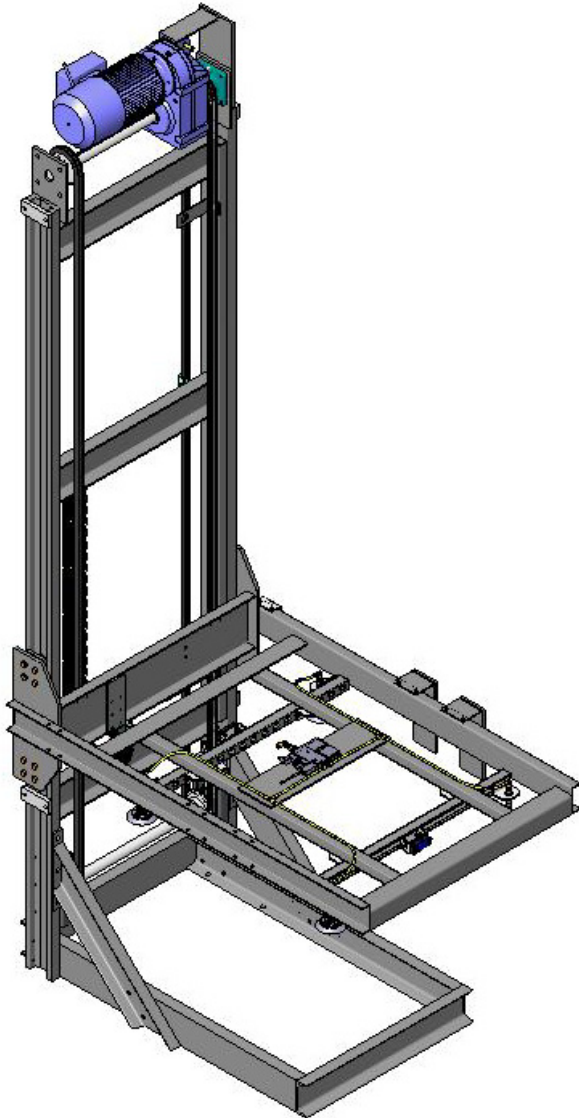


## Model 917 Slave Pallet Dispenser – Vacuum Style



### **STANDARD SPECIFICATIONS**

- |                            |                                                           |
|----------------------------|-----------------------------------------------------------|
| • ELECTRICAL REQUIREMENTS: | 230/460VAC                                                |
| • AIR REQUIREMENTS:        | 80 PSI                                                    |
| • SPEED:                   | (2) Slave Pallets per Minute/(120) Slave Pallets per Hour |
| • SLAVE PALLET SIZE:       | 40" x 48" Standard                                        |
| • CAPACITY:                | 50bs. Maximum                                             |
| • MOTOR:                   | 230/460V-3PH-60HZ T.E.F.C.. 115 VAC Brake                 |
| • FINISH:                  | Powder Coating, Color: Westfalia Gray RAL #7040           |