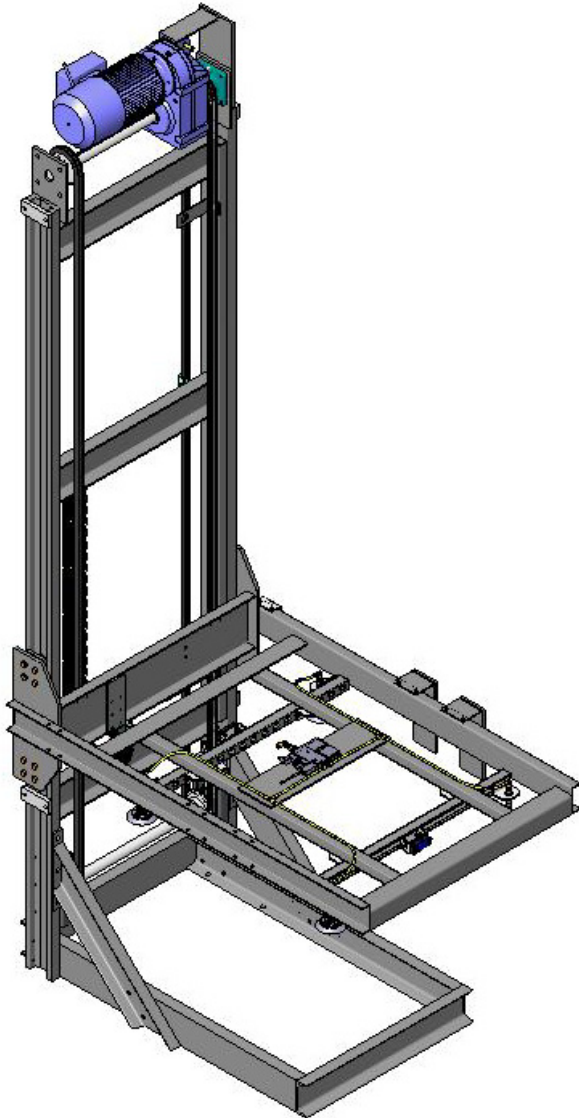


## Model 916 Slave Pallet Stacker – Vacuum Style



### **STANDARD SPECIFICATIONS**

- |                            |   |
|----------------------------|---|
| • ELECTRICAL REQUIREMENTS: | 230/460 VAC   |
| • AIR REQUIREMENTS:        | 80 PSI  |
| • SPEED:                   | (2) Slave Pallets per Minute/(120) Slave Pallets per Hour |
| • SLAVE PALLET SIZE:       | 40" x 48" Standard  |
| • CAPACITY:                | 50 Lbs. Maximum   |
| • MOTOR:                   | 230/460V-3PH-60HZ T.E.F.C., 115 VAC Brake                 |
| • FINISH:                  | Powder Coating, Color: Westfalia Gray RAL #7040           |