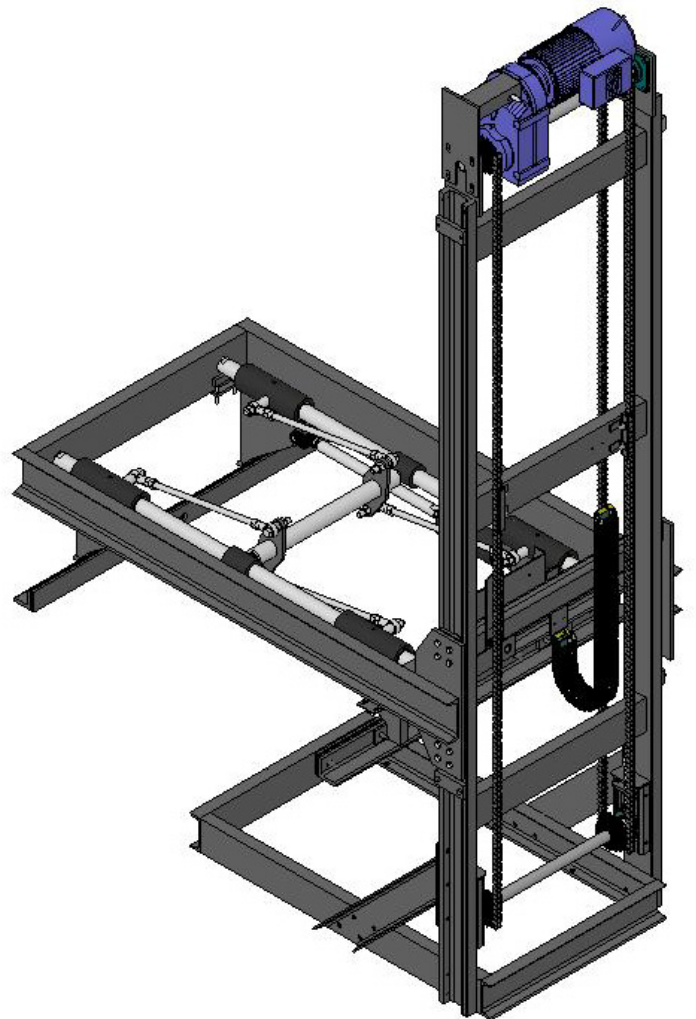
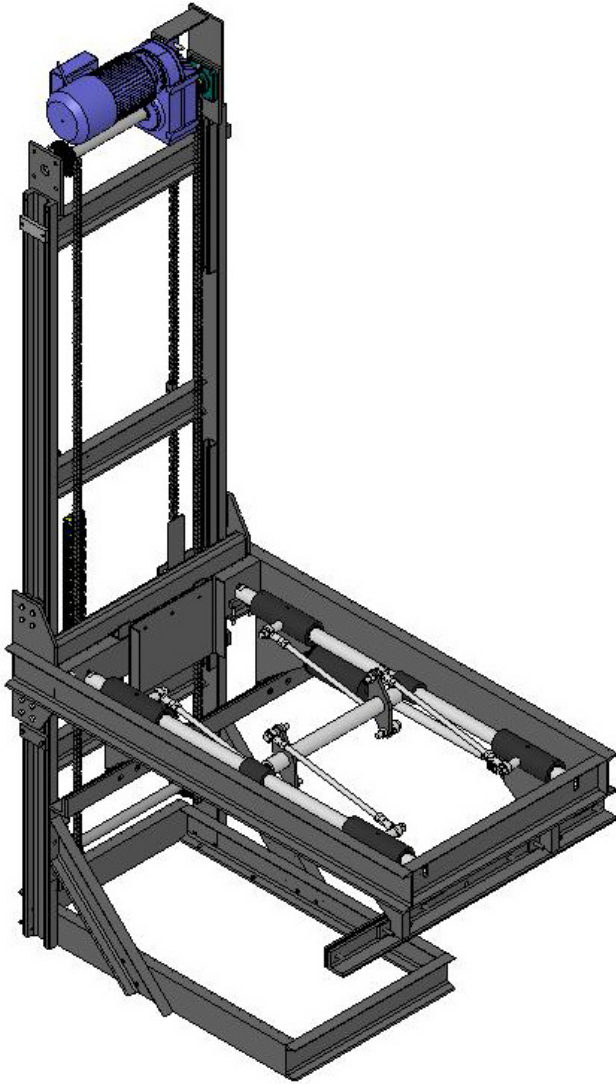


Model 914 Slave Pallet Stacker – Clamping Arm



STANDARD SPECIFICATIONS

- ELECTRICAL REQUIREMENTS: 230/460 VAC
- SPEED: (2) Slave Pallets per Minute/(120) Slave Pallets per Hour
- SLAVE PALLET SIZE: 40" x 48" x 1 1/4" Minimum Standard
- CAPACITY: 150 Lbs. Maximum
- MOTOR: 230/460V-3PH-60HZ T.E.F.C., 115VAC Brake
- FINISH: Powder Coating, Color: Westfalia Gray RAL #7040