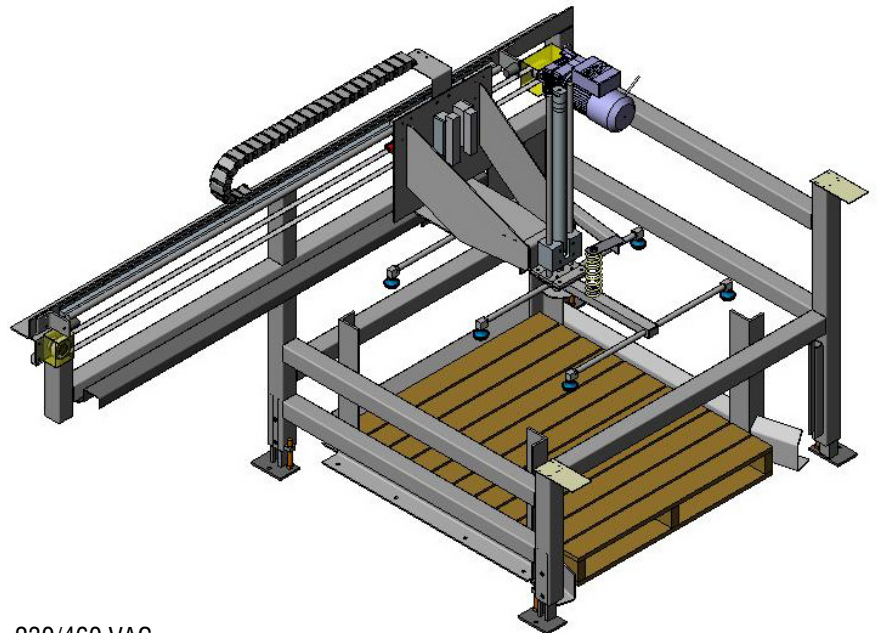
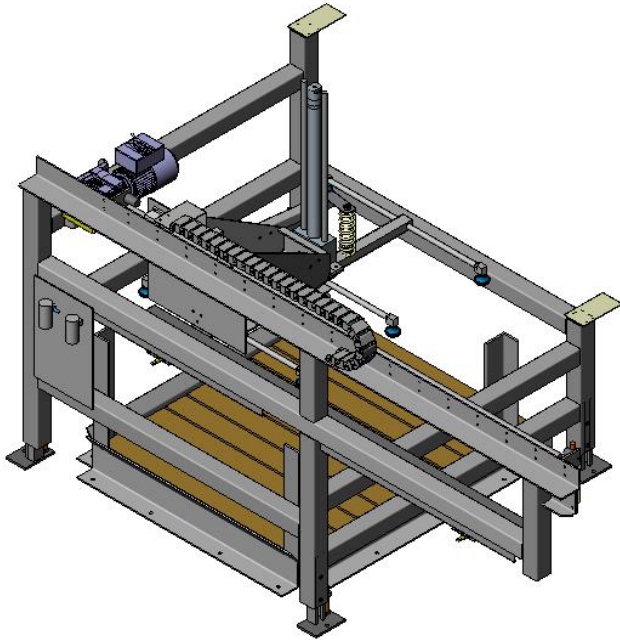


Model 910 Slip Sheet Dispenser



STANDARD SPECIFICATIONS

- ELECTRICAL REQUIREMENTS: 230/460 VAC
- AIR REQUIREMENTS: 80 PSI
- SPEED: (2) Sheets per Minute/(120) Sheets per Hour
- SLIP SHEET SIZE: 40" x 48" Standard
- CAPACITY: Slip Sheets can be Loaded for 40" or 48" Face Leading on Conveyed Pallet
- MOTOR: 24" Load Height including Pallet
- FINISH: ½ HP, 230/460V-3PH-60HZ T.E.F.C. with 460 VAC Brake
- FINISH: Powder Coating, Color: Westfalia Gray RAL #7040