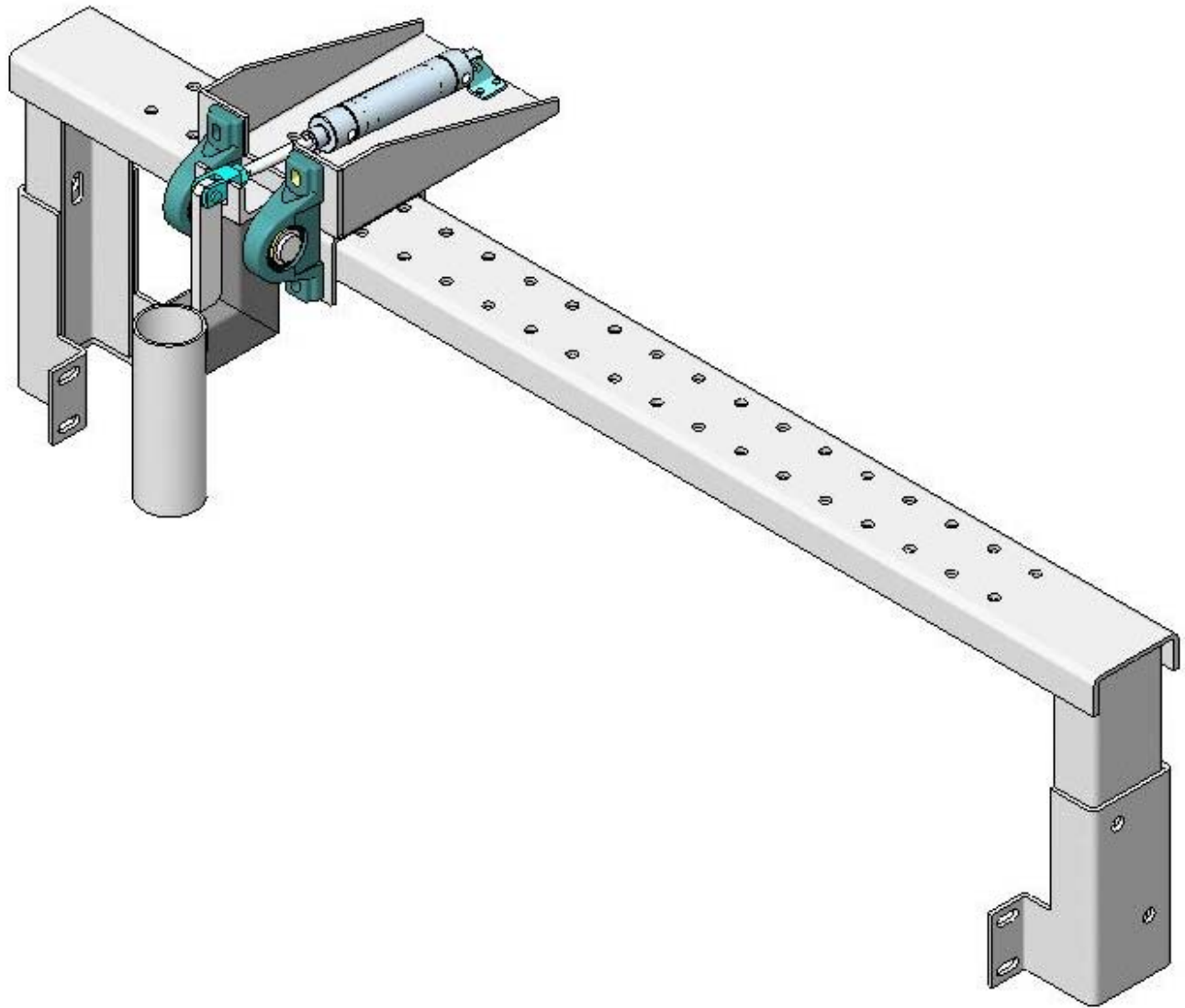


Model 801 Post Turner



STANDARD FEATURES

- Utilized for Turning Bags from Narrow Side Leading to Wide Side Leading

STANDARD SPECIFICATIONS

- FRAME: 7 Gauge Formed Steel
- POST: Pneumatic with Air Cylinder Actuation
- FINISH: Powder Coating, Color: Westfalia Gray RAL #7040