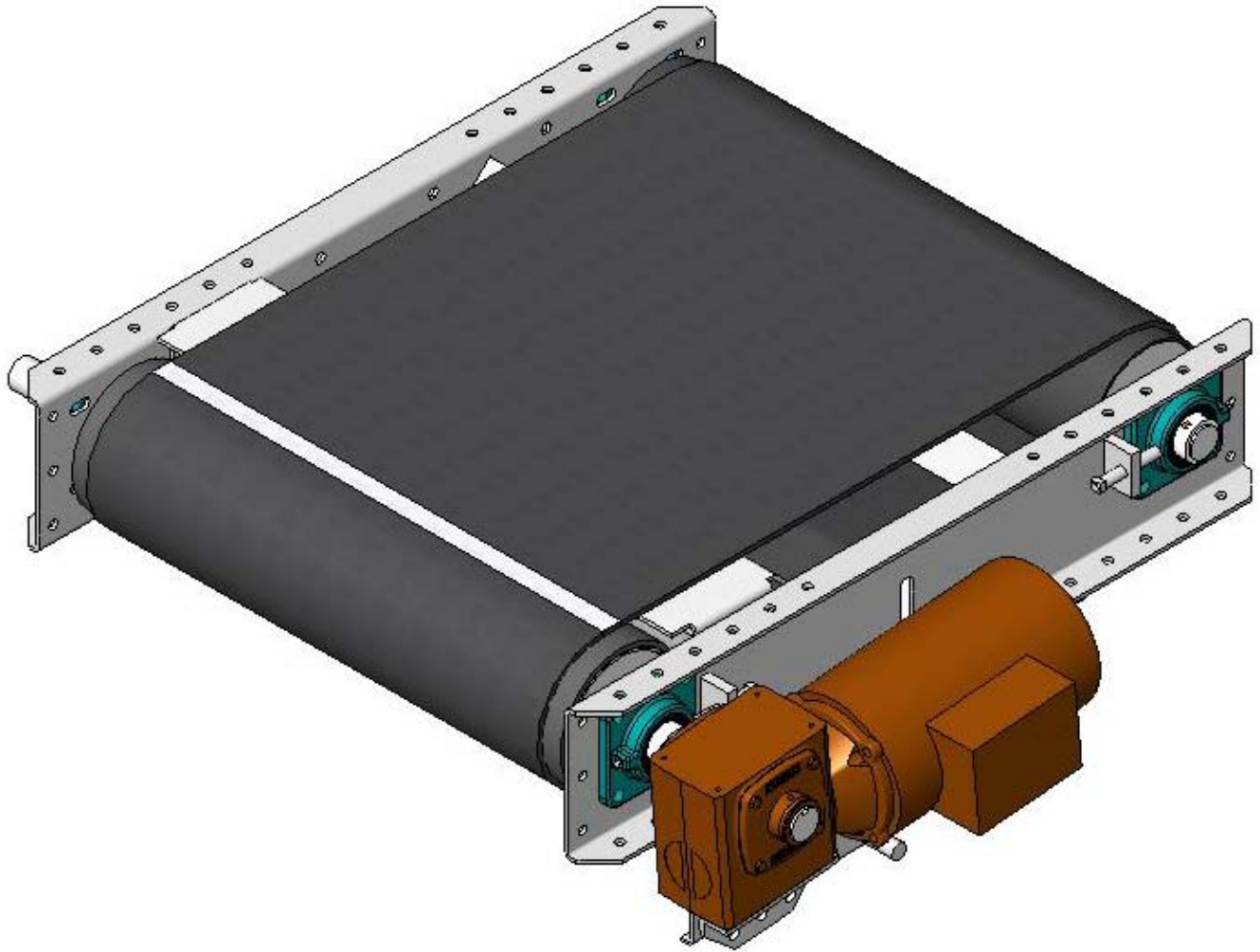


# Model 431

## Compact Length Transport Conveyor

### 24" Wide Conventional Belt



#### **STANDARD SPECIFICATIONS**

- **FRAME:** 7 Gauge Formed Channel Sides
- **SUPPORTS:** Heavy Duty Welded 4" Formed Steel Channel with Adjustable Feet for  $\pm 3"$
- **ELEVATION TOP OF BELT:** 12" Minimum
- **BELT:** 24" Wide Heavy Duty Interwoven Polyester with PVC Cover; 120 P.I.W. V-Guided
- **ROLLERS:** 1.9" Diameter Rollers with Ball Bearings, 7/16" Diameter Shaft, Nominally Spaced on 6" Centers
- **MOTOR:** 230/460V-3PH-60HZ T.E.F.C.
- **SPEED:** 50, 60, 75 or 100 FPM Nominal Standard
- **FINISH:** Powder Coating, Color: Westfalia Gray RAL #7040