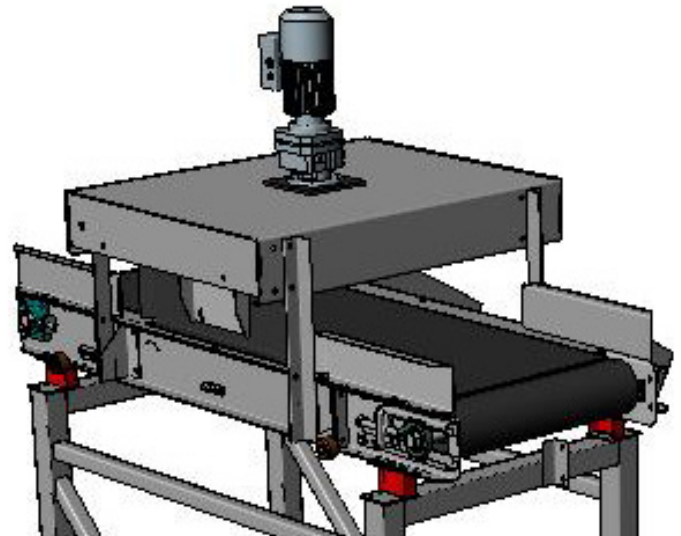
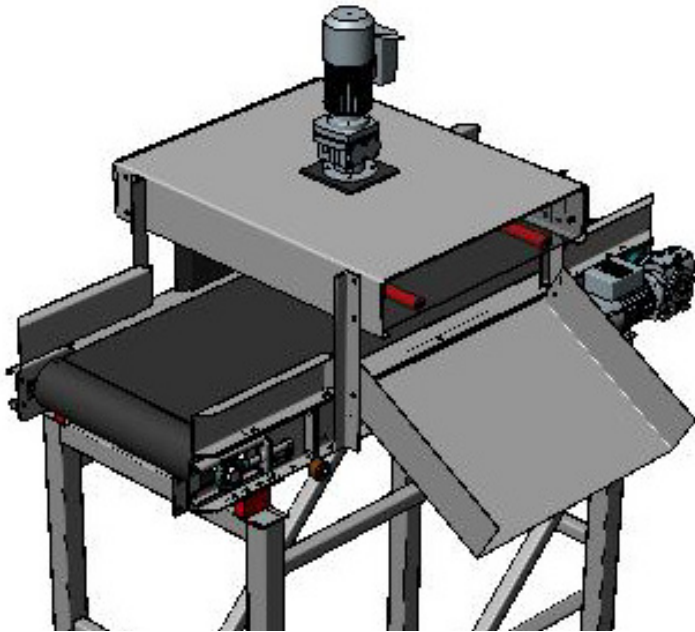


## Model 424 In-Line Electric Reject/Transfer Unit



### **STANDARD SPECIFICATIONS**

- **FRAME:** Formed 10 Gauge Steel Slider Bed
- **SUPPORTS:** Heavy Duty Welded 4" Formed Steel Channel with Adjustable Feet for  $\pm 3"$
- **BELT:** 24" Wide Black Rough-Top
- **PULLEYS:** 4" Diameter Crown Face Feed End Pulley  
6" Diameter Crown Face Lagged Head End Pulley
- **MOTOR:** 230/460V-3PH-60HZ T.E.F.C.
- **PUSHER:** Electric Pusher Bar Assembly
- **SPEED:** 300 FPM Standard
- **BAG REJECT SPEED:** Up to 30 BPM
- **FINISH:** Powder Coating, Color: Westfalia Gray RAL #7040